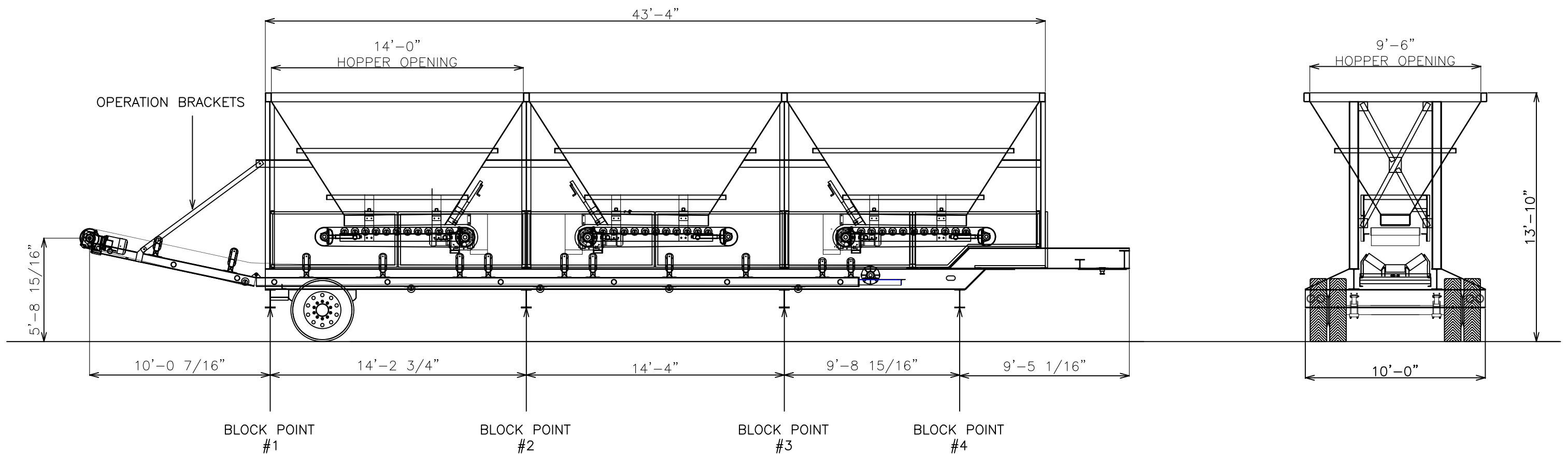
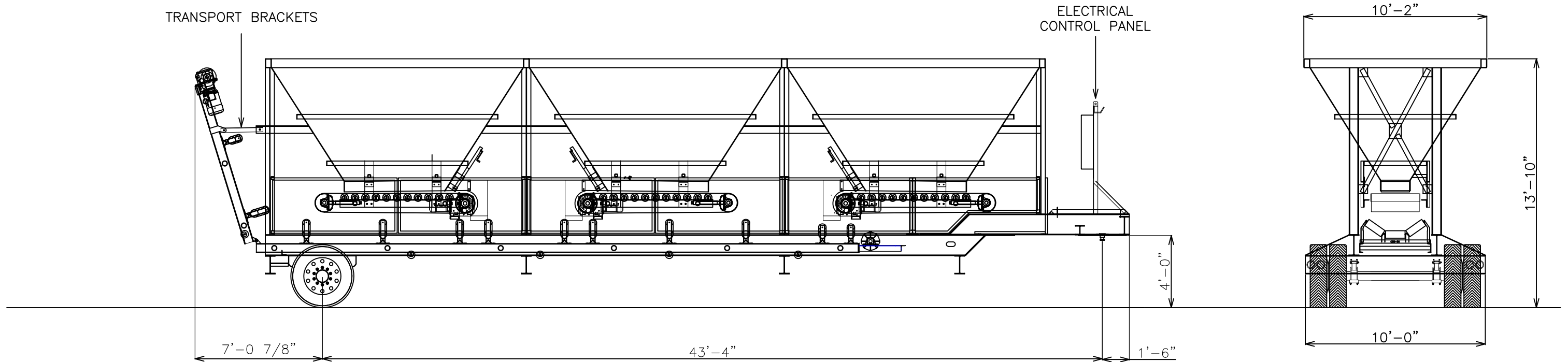


TRANSPORT POSITION



OPERATING POSITION

3				DRN. MB	DATE 02/11/18
2				TOLERANCE: ± 1"	
1					
NO.	REVISIONS	BY	DATE	SCALE	NTS



CUSTOMER		REF.#
TITLE	GENERAL ARRANGEMENT PORTABLE 3 BIN BLENDING HOPPER	MODEL# 108-3P
		DWG.#